



## PROHLÁŠENÍ O VLASTNOSTECH



DoP: 0143

pro FIF - CN II (Plastové hmoždinky pro použití do betonu a zdiva.) - CS

1. Jedinečný identifikační kód typu výrobku: **DoP: 0143**
2. Zamýšlené/zamýšlená použití: **Pro použití v ETICS s omítkou pro přenos sil od sání větrem, viz. doplněk, obzvláště Přílohy B 1 - B 3**
3. Výrobce: **fischerwerke GmbH & Co. KG, Klaus-Fischer-Straße 1, 72178 Waldachtal, Německo**
4. Zplnomocněný zástupce: --
5. Systém/systémy POSV: **2+**
6. Evropský dokument pro posuzování: **EAD 330196-01-0604**  
Evropské technické posouzení: **ETA-18/0393; 2018-05-29**  
Subjekt pro technické posuzování: **DIBt**  
Oznámený subjekt/oznámené subjekty: **1343 – MPA Darmstadt**
7. Deklarovaná vlastnost/Deklarované vlastnosti:  
**Bezpečnost a přístupnost (BWR 4)**
  - **Charakteristická únosnost: viz. doplněk, obzvláště Příloha C 1**
  - **Vzdálenost k okraji a osová vzdálenost: viz. doplněk, obzvláště Příloha B 2**
  - **Duhost desky: viz. doplněk, obzvláště Příloha C 1**
  - **Posuny: viz. doplněk, obzvláště Příloha C 1****hospodaření s energií a zadržování tepla (BWR 6)**
  - **Bodový prostup tepla: viz. doplněk, obzvláště Příloha C 1**
8. Příslušná technická dokumentace a/nebo specifická technická dokumentace: ---  
Vlastnosti výše uvedeného výrobku jsou ve shodě se souborem deklarovaných vlastností. Toto prohlášení o vlastnostech se v souladu s nařízením (EU) č. 305/2011 vydává na výhradní odpovědnost výrobce uvedeného výše.  
Podepsáno za výrobce a jeho jménem:

Andreas Bucher, Dipl.-Ing.

Wolfgang Hengesbach, Dipl.-Ing., Dipl.-Wirtsch.-Ing.

Tumlingen, 2018-06-06

- Toto PoV bylo připraveno v různých jazykových mutacích.. V případě rozporu vždy rozhoduje interpretace verze v anglickém jazyce.
- Příloha obsahuje nepovinné a doplňkové informace v anglickém jazyce na rámec zákonných požadavků.

## Specific Part

### 1 Technical description of the product

The fischer FIF-CN II consists of an anchor sleeve with an enlarged shaft made of polypropylene (virgin material), an insulation plate made of glass fibre reinforced polyamide (virgin material) and a specific compound nail (for FIF-CN II 60-180) made of glass fibre reinforced polyamide with galvanized steel or a specific nail (for FIF-CN II 200-340) made of galvanized steel which is installed together with a plastic cylinder made of glass fibre reinforced polyamide.

The anchor may in addition be combined with the slip-on-plate DT 90, DT 110 and DT 140.

The product description is given in Annex A.

### 2 Specification of the intended use in accordance with the applicable European Assessment Document

The performances given in Section 3 are only valid if the anchor is used in compliance with the specifications and conditions given in Annex B.

The verification and assessment methods on which this European Technical Assessment is based lead to the assumption of a working life of the anchor of at least 25 years. The indications given on the working life cannot be interpreted as a guarantee given by the producer, but are to be regarded only as a means for choosing the right products in relation to the expected economically reasonable working life of the works.

### 3 Performance of the product and references to the methods used for its assessment

#### 3.1 Safety and accessibility in use (BWR 4)

Essential characteristic	Performance
Characteristic tension resistance	See Annex C 1
Edge distances and spacing	See Annex B 2
Plate stiffness	See Annex C 1
Displacements	See Annex C 1

#### 3.2 Energy economy and heat retention (BWR 6)

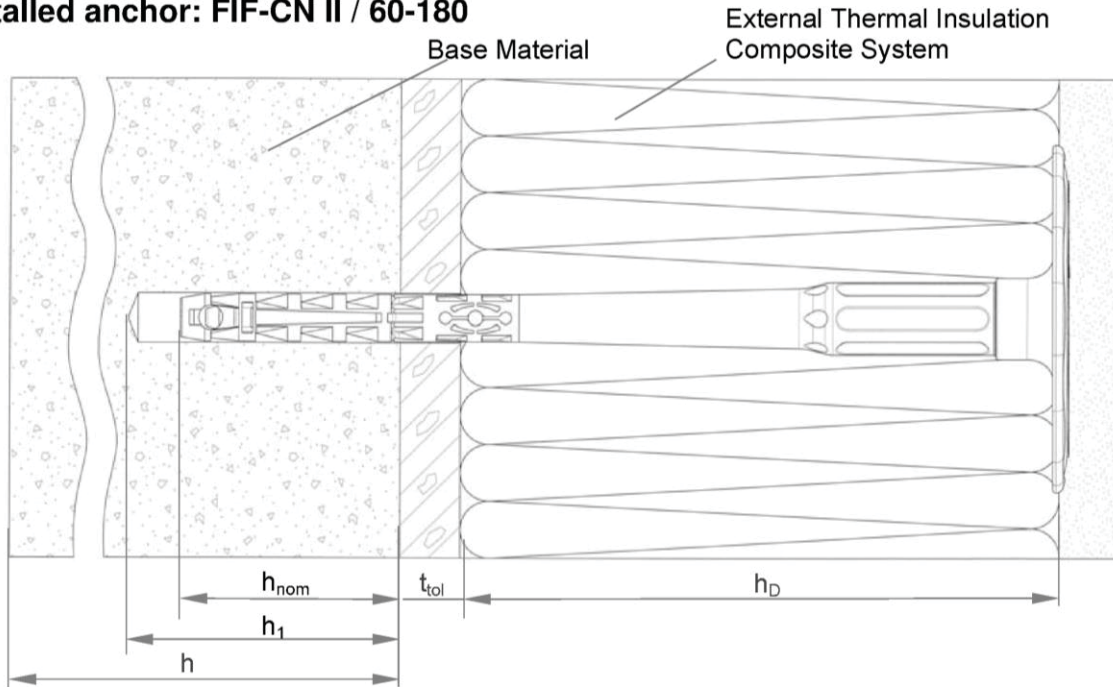
Essential characteristic	Performance
Point thermal transmittance	See Annex C 1

### 4 Assessment and verification of constancy of performance (AVCP) system applied, with reference to its legal base

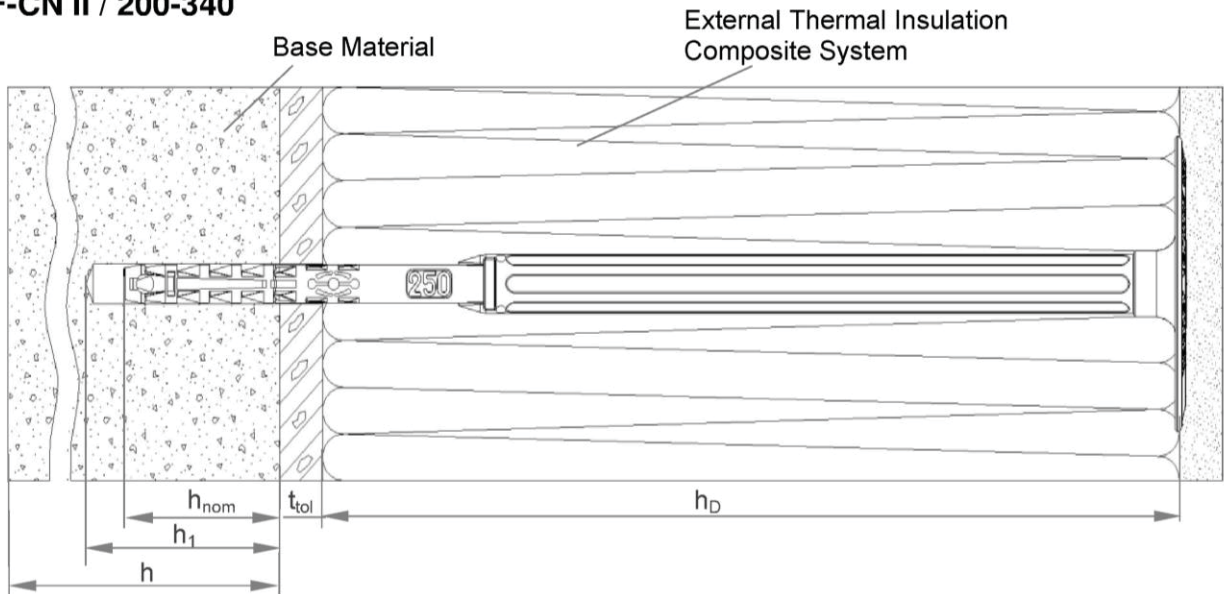
In accordance with EAD No. 330196-01-0604, the applicable European legal act is: [97/463/EC].

The system to be applied is: 2+

**Installed anchor: FIF-CN II / 60-180**



**FIF-CN II / 200-340**



**Legend**

- $h_{nom}$  = Overall plastic anchor embedment depth in the base material
- $h_1$  = Depth of drilled hole to deepest point
- $h$  = Thickness of member (wall)
- $h_D$  = Thickness of insulation material
- $t_{tol}$  = Thickness of equalizing layer or non-load bearing coating

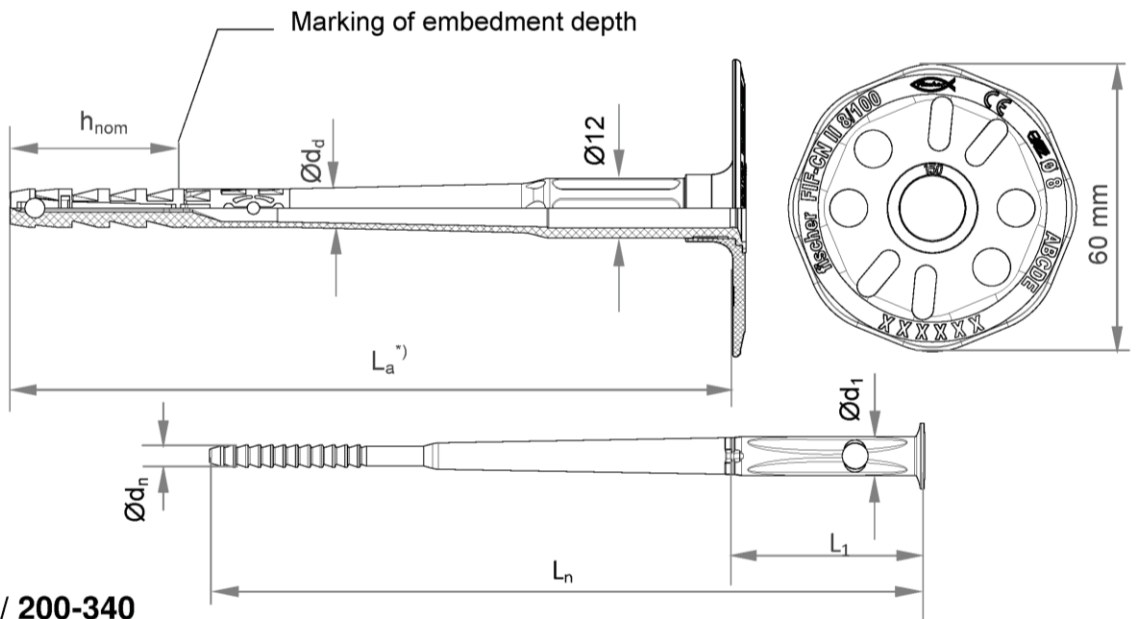
Figures not to scale

fischer FIF-CN II

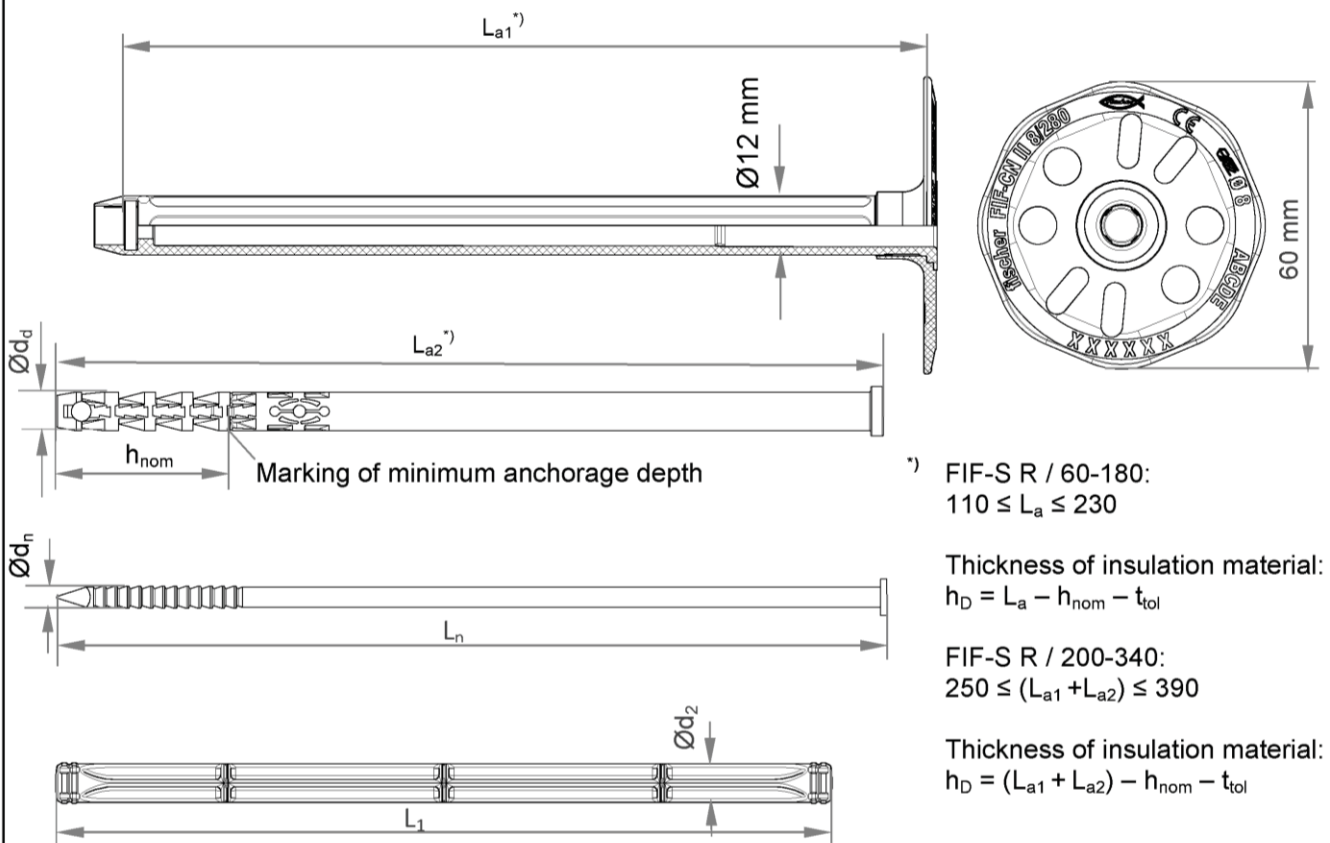
**Product description**  
Installed anchor

**Annex A 1**

**Single parts: FIF-CN II / 60-180**



**FIF-CN II / 200-340**



\*) FIF-S R / 60-180:  
 $110 \leq L_a \leq 230$




Thickness of insulation material:  
 $h_D = L_a - h_{nom} - t_{tol}$

FIF-S R / 200-340:  
 $250 \leq (L_{a1} + L_{a2}) \leq 390$

Thickness of insulation material:  
 $h_D = (L_{a1} + L_{a2}) - h_{nom} - t_{tol}$

Figures not to scale

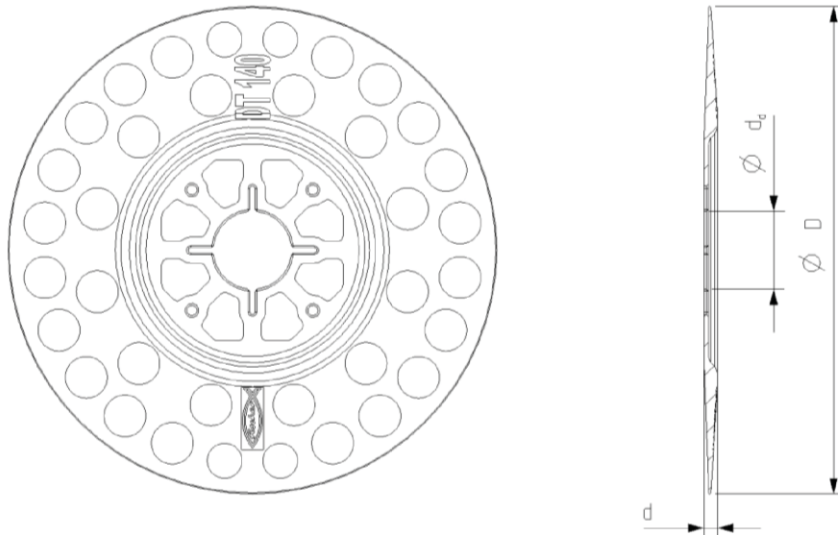
fischer FIF-CN II	
<b>Product description</b> Marking and dimensions of the anchor	<b>Annex A 2</b>

<b>Table A3.1: Marking</b>	
<b>Anchor type</b>	<b>FIF-CN II</b>
Name and size of anchor	FIF-CN II 8
Thickness of insulation material	60, 80, 100, 120, ... 340
Example	fischer FIF-CN II 8/100  or  or blank CE (optional) Ø 8  (optional) ABCDE

<b>Table A3.2: Dimensions</b>									
Anchor type	Anchor sleeve				Specific nail			Plastic cylinder	
	Ø d <sub>d</sub>	h <sub>nom</sub>	L <sub>a,min</sub>	L <sub>a,max</sub>	Ø d <sub>n</sub>	L <sub>n</sub>	Ø d <sub>1</sub>	L <sub>1</sub>	Ø d <sub>2</sub>
	[mm]								
FIF-CN II 60-180	8	35	110	230	4,5	L <sub>a</sub> - 4	8	40	-
FIF-CN II 200-340	8	35	250	390	4,5	(L <sub>a1</sub> + L <sub>a2</sub> ) - L <sub>1</sub> - 4		157	8

<b>Table A3.3: Materials</b>	
Designation	Material
Anchor sleeve	PP (virgin material), colour: grey
Shaft (FIF-CN II / 200-340)	PA6 (virgin material) GF, colour: grey
Plastic cylinder (FIF-CN II / 60 – 180)	PA6 (virgin material) GF, colour: nature
Specific compound nail (FIF-CN II / 60-180) o Specific nail (FIF-CN II / 200-340)	PA6 (virgin material) GF, steel gal Zn A2G or A2F acc.to EN ISO 4042:2001-01 Steel gal Zn A2G or A2F acc. to EN ISO 4042:2001-01
Anchor plate	PA6 (virgin material) GF, colour: grey

**Slip-on-plate combined with FIF-CN II**



**Table A3.4: Slip-on-plate, diameters and material**

Slip-on-plate	Ø D	Ø d <sub>d</sub>	d	Material
	[mm]			
DT 90 / 110 / 140	90 / 110 / 140	22,5	3,9	PA6 GF

Figures not to scale

fischer FIF-CN II	<b>Annex A 3</b>
<b>Product description</b> Marking, dimensions, materials, slip-on plates combined with FIF-CN II	

**Specifications of intended use**

**Anchorage subject to:**

- The anchor may only be used for transmission of wind suction loads and shall not be used for the transmission of dead loads of the thermal insulation composite system.

**Base materials:**

- Normal weight concrete (use category A), according to Annex C1.
- Solid masonry (use category B), according to Annex C1.
- Hollow or perforated masonry (use category C), according to Annex C1.
- Lightweight aggregate concrete (use category D), according to Annex C1.
- Autoclaved aerated concrete (use category E), according to Annex C1.
- For other base materials of the use categories A, B, C, D and E the characteristic resistance of the anchor may be determined by job site tests acc. to EOTA Technical Report TR 051 Edition December 2016.

**Temperature Range:**

- 0 °C to + 40 °C (max. short term temperature +40°C and max. long term temperature +24°C).

**Design:**

- The anchorages are designed under the responsibility of an engineer experienced in anchorages and masonry work with the partial safety factors  $\gamma_M = 2,0$  and  $\gamma_F = 1,5$ , if there are no other national regulations.
- Verifiable calculation notes and drawings are prepared taking account of the loads to be anchored. The position of the anchors is indicated on the design drawings.
- Fasteners are only to be used for multiple fixings of the ETICS.

**Installation:**

- Hole drilling by the drill modes according to Annex C1.
- Anchor installation carried out by appropriately qualified personnel and under the supervision of the person responsible for technical matters on the site.
- Installation temperature from 0 °C to + 40 °C
- Exposure to UV due to solar radiation of the anchor not protected by rendering  $\leq 6$  weeks.

fischer FIF-CN II	<b>Annex B 1</b>
<b>Intended use</b> Specification	



**Table B2.1: Installation parameters**

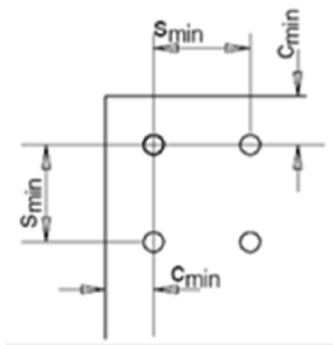
Anchor type		FIF-CN II
Drill hole diameter	$d_0 =$	8
Cutting diameter of drill bit	$d_{cut} \leq$	8,45
Depth of drill hole to deepest point	$h_1 \geq$	45 / 65 <sup>1)</sup>
Overall plastic anchor embedment depth in the base material	$h_{nom} \geq$	35 / 55 <sup>1)</sup>

<sup>1)</sup> only for use cat. "D" and "E"

**Table B2.2: Minimum thickness, distance and spacing**

Anchor type		FIF-CN II
Minimum thickness of member	$h_{min}$	100
Minimum spacing	$s_{min} =$	100
Minimum edge distance	$c_{min}$	100

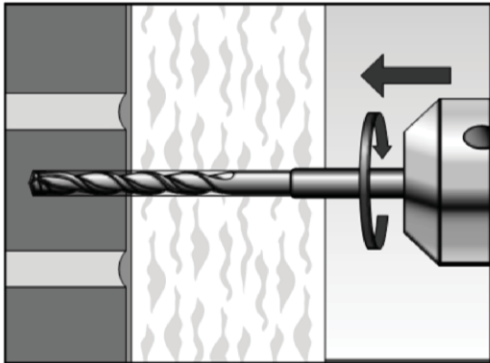
**Anordnung Achs- und Randabstände**



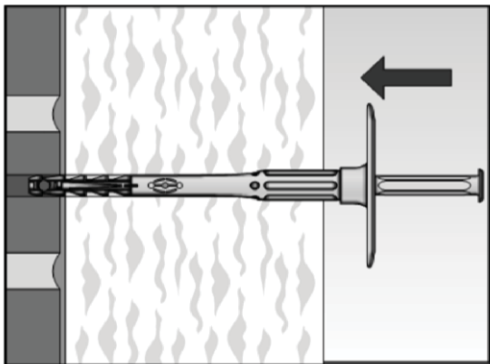
Figures not to scale

fischer FIF-CN II	<b>Annex B 2</b>
<b>Intended use</b> Installation parameters, edge distances and spacings	

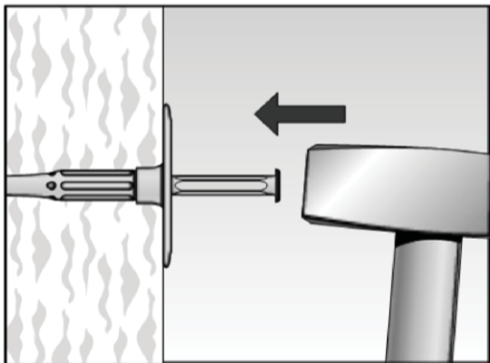
**Installation instructions:**



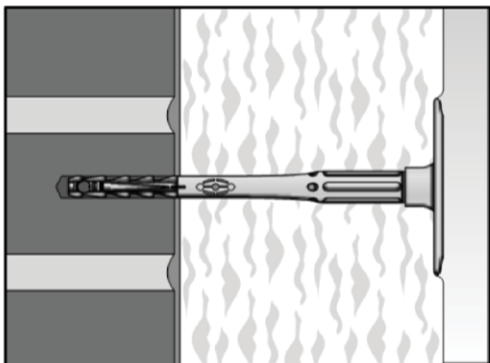
1. Drill the bore hole by the parameters acc. to Table B2.1 and the corresponding drilling method acc. to Annex C 1.



2. Insert anchor manually.



3. Set anchor by hammer blows. The bottom side of the plate must be flush with the ETICS.



4. Correctly installed anchor.

Figures not to scale

fischer FIF-CN II

**Intended use**  
Installation instructions

**Annex B 3**



<b>Table C1.1: Characteristic resistance <math>N_{RK}</math> in concrete and masonry for a single anchor</b>						
Base material	Use cat.	Bulk density class $\rho$ [kg/dm <sup>3</sup> ]	Min. compressive strength $f_b$ [N/mm <sup>2</sup> ]	Remarks	Drill method <sup>1)</sup>	Characteristic resistance FIF-CN II $N_{RK}$ [kN]
Concrete ≥ C12/15 – C50/60 acc.to EN 206-1:2000	A				H	<b>0,75</b>
Clay brick Mz, acc. to EN 771-1:2011	B	≥ 2,0	12	Cross section reduced up to 15% by perforation vertically to the resting area	H	<b>0,75</b>
Vertically perforated clay bricks Hlz, acc. to EN 771-1:2011	C	≥ 1,0	12	Cross section between 15 % and 50 % by perforation vertically to the resting area. Outer web thickness ≥ 12 mm	R	<b>0,5</b>
Lightweight aggregate concrete, LAC, acc. to EN 1520:2011	D	≥ 0,8	6	Minimum solid brick or minimum exterior web thickness $t \geq 50$ mm	H	<b>0,5</b>
Autoclaved aerated concrete blocks AAC, acc. to EN 771-4:2011, $h_{nom} = 35$ mm	E	≥ 0,4	4	-	R	<b>0,3</b>
<sup>1)</sup> H = Hammer drilling                      R = Rotary drilling						
<b>Table C1.2: Point thermal transmittance acc. to EOTA Technical Report TR 025: 2016-05</b>						
Anchor type	Thickness of insulation material $h_D$ [mm]		Point thermal transmittance $\chi$ [W/K]			
FIF-CN II / 60-180	60		0,001			
	80 - 180		0,000			
FIF-CN II / 200-340	200 - 300		0,000			
	320 - 340		0,001			
<b>Table C1.3: Plate stiffness acc. to EOTA Technical Report TR 026: 2016-05</b>						
Anchor plate	Size of the anchor plate [mm]		Load resistance of the anchor plate [kN]		Plate stiffness [kN/mm]	
FIF-CN II	60		1,63		0,63	
<b>Table C1.4: Displacements of the FIF-CN II</b>						
Base material	Tension load F [kN]		Displacements $\delta$ [mm]			
Concrete C12/15 – C50/60 (EN 206-1:2000)	0,25		< 0,3			
Clay brick, Mz 12 (EN 771-1:2011)	0,25		< 0,5			
Vertically perforated clay brick, Hlz 12 (EN 771-1:2011)	0,17		< 0,2			
Lightweight aggregate concrete, LAC 6 (EN 1520:2011)	0,17		< 0,3			
Autoclaved aerated concrete blocks, AAC 4 (EN 771-4:2011)	0,10		< 0,2			
fischer FIF-CN II					<b>Annex C 1</b>	
<b>Performances</b> Characteristic resistance of the anchor Point thermal transmittance, plate stiffness and displacements						